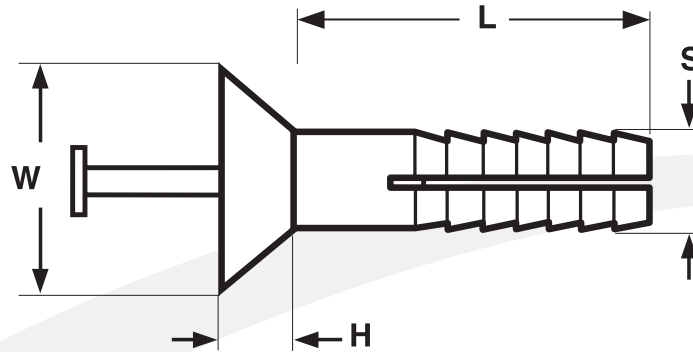


Flat Head Drive Pin Anchor

All Nylon



TWO PIECE DRIVE PIN ANCHOR RIVETS, FLAT HEAD

Nominal Diameter	W		H		S	
	Head Width		Head Height		Shank Diameter	
	Max	Min	Max	Min	Max	Min
1/4	.443	.433	.113	.103	.265	.235
Tolerance on Length			+/- .015			

Description	<p>A fastening system which consists of two parts: (1) a nylon component which has a cylindrical shank split on two sides, 180° apart, extending from the bottom of the shank up most of the distance to the head. The shank has several ribs extending completely around its circumference. Flat head style is countersunk. (2) a pin expander (which may be steel or nylon) which passes through a concentric channel extending from an opening in the top of the head of the nylon piece down into the shank to a point just below the spot where the split ends below the head. The steel pin has a slot across the top of its head, a chiseled point similar to a nail, and threads on its own shank which helps to lock the anchor in place upon installation. The nylon pin has a smooth, flat top and smooth shank.</p>
Applications/ Advantages	<p>An economical multipurpose blind fastener for use in predrilled hole and installed with a hammer. Provides resistance to electrical conductivity, vibration and corrosion. Can be used in floor plates, truck trailers, plumbing fixtures, window/drapery hardware and storage shelves. The flat head style provides a smooth offside surface with sufficient clearance for moving parts that pass over the rivet head.</p>
Material	<p>All Plastic style: Nylon 6/6 impact modified Plastic Rivet/Steel Pin style: Rivet- Nylon 6/6 impact modified, Pin- Carbon Steel w/ Zinc Plate</p>
Melting Point	500° F