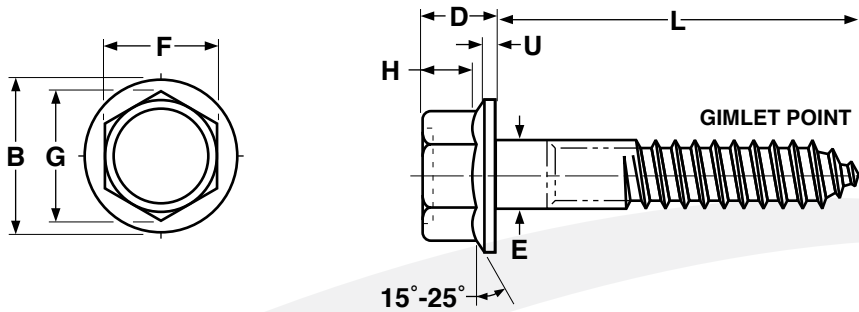


Cap Screws & Bolts

Hex Flange Lag Screws



Length of a hex flange lag screw (L) is measured from the underhead bearing surface to the extreme end of the screw. Minimum thread length is 1/2 length of the screw plus 0.50 inch or 6 inches, whichever is shorter.

HEX FLANGE LAG SCREWS											IFI-111 (2000) & ASME B18.2.1 (1996)	
Nominal Size	Threads per Inch	E		F		G		B	U	D	H	
		Body Diameter		Width Across Flats		Width Across Corners		Flange Diam.	Flange Thick-ness	Head Height	Wrench Height	
		Max	Min	Max	Min	Max	Min	Max	Min	Max	Min	
1/4	10	0.260	0.237	0.375	0.367	0.433	0.409	0.56	0.04	0.28	0.17	
5/16	9	0.324	0.298	0.500	0.489	0.577	0.548	0.68	0.05	0.32	0.21	
3/8	7	0.388	0.360	0.562	0.551	0.650	0.618	0.81	0.06	0.39	0.25	
1/2	6	0.515	0.482	0.750	0.736	0.866	0.825	1.07	0.08	0.51	0.34	
Tolerance on Length		Nominal Bolt Size		Nominal Bolt Length								
				Up to 6 inches, incl.				Over 6 inches				
				1/4 thru 1/2				-0.03				-0.08

Description	A one-piece hex-washer head screw with a flat bearing surface, spaced threads and a gimlet point.
Applications/ Advantages	Useful in constructing decks and also popular in timber assembly. Preferred by some over traditional lag screws because flat washers are not required. Galvanized finish offers resistance to corrosion.
Material	AISI 1006 - 1022 or equivalent steel
Hardness	Rockwell B70 - B100
Tensile Strength	60,000 psi. minimum
Coating	Hex Flange Lag Screws are typically supplied with a hot-dipped galvanized finish. See Appendix-A for more information..