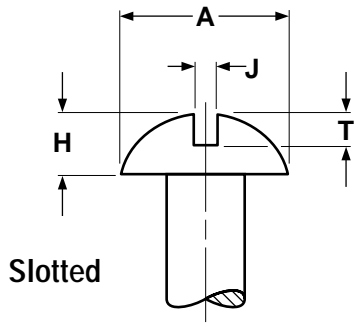


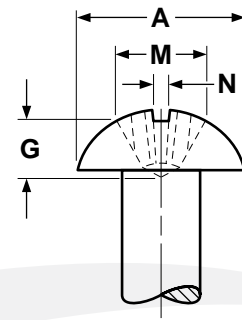
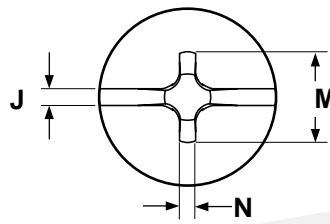
**Combo Round  
Combo Truss**

**Head Dimensions**

**Machine Screws**



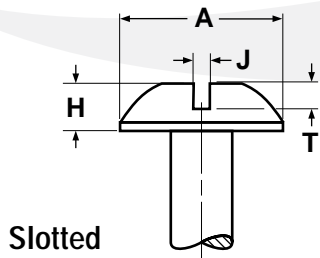
Slotted



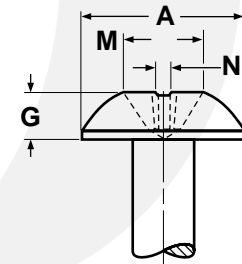
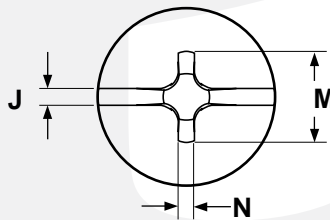
Phillips

**COMBINATION DRIVE ROUND HEADS FOR MACHINE SCREWS**

Nominal Screw Size	A		H		J		T		M		G		N	Recess Penetration Gaging Depth		Driver Size
	Head Dimensions				Slot Dimensions				Recess Dimensions							
	Head Diameter		Head Height		Width		Depth		Diameter		Depth		Recess Width	Max	Min	
	Max	Min	Max	Min	Max	Min	Max	Min	Max	Min	Max	Min	Min			
4	.211	.193	.086	.075	.039	.031	.058	.044	.118	.105	.072	.053	.019	.065	.046	1
6	.260	.240	.103	.091	.048	.039	.068	.051	.162	.149	.084	.056	.027	.073	.045	2
8	.309	.287	.120	.107	.054	.045	.077	.058	.178	.165	.101	.075	.030	.090	.064	2
10	.359	.334	.137	.123	.060	.050	.087	.065	.195	.182	.119	.093	.031	.108	.082	2
12	.408	.382	.153	.139	.067	.056	.096	.073	.249	.236	.125	.099	.032	.108	.082	3
1/4	.472	.443	.175	.160	.075	.064	.109	.082	.268	.255	.147	.121	.034	.130	.104	3
5/16	.590	.557	.216	.198	.084	.072	.132	.099	.308	.295	.187	.161	.040	.170	.144	3
3/8	.708	.670	.256	.237	.094	.081	.155	.117	.387	.374	.228	.202	.064	.208	.182	4



Slotted



Phillips

**COMBINATION DRIVE TRUSS HEADS FOR MACHINE SCREWS**

Nominal Size	A		H		J		T		M		G		N	Recess Penetration Gaging Depth		Phillips Driver Size
	Head Diameter		Height of Head		Width of Slot		Depth of Slot		Dimensions of Recess							
									Diameter		Depth		Width	Max	Min	
	Max	Min	Max	Min	Max	Min	Max	Min	Max	Min	Max	Min	Min			
4	.257	.241	.069	.059	.039	.031	.040	.030	.112	.099	.069	.051	.018	.062	.044	1
6	.321	.303	.086	.074	.048	.039	.050	.037	.158	.145	.084	.059	.027	.073	.048	2
8	.384	.364	.102	.088	.054	.045	.058	.045	.173	.160	.099	.074	.029	.088	.063	2
10	.448	.425	.118	.103	.060	.050	.068	.053	.188	.175	.115	.090	.030	.104	.079	2
12	.511	.487	.134	.118	.067	.056	.077	.061	.248	.235	.128	.103	.032	.111	.086	3
1/4	.573	.546	.150	.133	.075	.064	.087	.070	.263	.250	.143	.118	.033	.126	.101	3