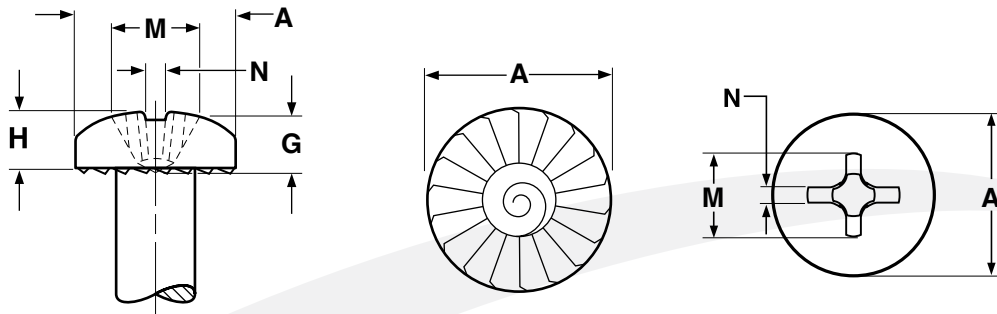


Self-Tapping Screws

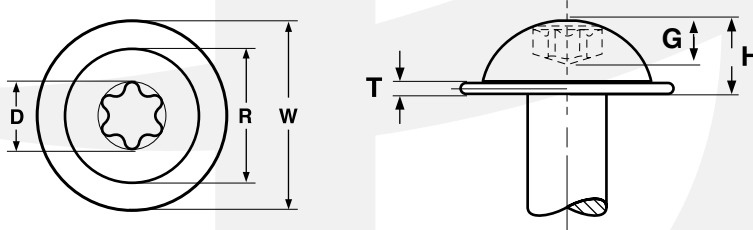
Head Dimensions

Serrated Pan Phillips
Round Washer 6-lobe



SERRATED PAN PHILLIPS FOR TAPPING SCREWS

Nominal Size	A		H		M	G	N	Recess Penetrating Gaging Depth		Recess Size
	Head Diameter		Head Height		Recess Diameter	Recess Depth	Recess Width	Min	Max	
	Max	Min	Max	Min	Ref	Ref				
8	.322	.306	.115	.105	.176	.095	.030	.097	.071	2
10	.373	.357	.133	.122	.192	.112	.031	.113	.089	2



SIX-LOBE RECESS ROUND WASHER HEAD FOR TAPPING SCREWS

Nominal Screw Size	W		T		R	H		D	G	(Fallaway) Max Penetration	Driver Size
	Washer Outside Diameter		Washer Thickness		Head Outside Diameter	Overall Head Height		Recess Diameter	Gauge Penetration		
	Max	Min	Max	Min	Ref	Max	Min	Ref	Min		
8	.385	.365	.041	.030	.288	.128	.116	.155	.055	.036	T20