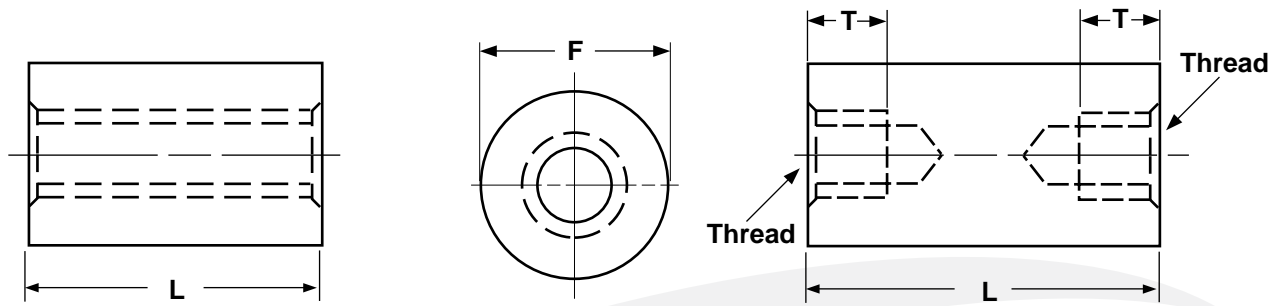


Round Threaded Female Standoffs

Spacers & Standoffs



ROUND STANDOFFS					
F	Thread Size	T	F	Thread Size	T
Nominal Diameter (± 1/64)		Thread Depth	Nominal Diameter (± 1/64)		Thread Depth
		Min			Min
3/16	2-56	3/16	3/8	8-32	7/16
3/16	4-40	1/4	3/8	10-32	1/2
1/4	2-56	3/16	1/2	6-32	3/8
1/4	4-40	1/4	1/2	8-32	7/16
1/4	6-32	3/8	1/2	10-32	1/2
1/4	8-32	7/16	1/2	1/4-20	5/8
1/4	10-32	1/2	5/8	8-32	7/16
5/16	4-40	1/4	5/8	10-32	1/2
5/16	6-32	3/8	5/8	1/4-20	5/8
5/16	8-32	7/16	5/8	5/16-18	5/8
5/16	10-32	1/2	5/8	3/8-16	5/8
3/8	6-32	3/8			
Tolerance on Length		±.005			

Description	A cylindrical, mechanical device which has a partial or complete internal thread, used to hold two components at a given distance from each other.
Applications/ Advantages	Standoffs are usually chosen over spacers when longer sizes are required. Round standoffs are less common than hex, used in applications where wrenching of the standoff is not required. Aluminum is popular for its light weight/ strength compromise. It is non-magnetic, performs well in severe temperatures, and has insulating properties. Brass is used in making high-quality standoffs. It is conductive, resists corrosion, and is non-magnetic. It is costlier and heavier than aluminum and is usually plated zinc or nickel. Steel is used in applications requiring greater strength, but it is heavier than aluminum and does not resist corrosion like aluminum or brass.
Material	<p>Aluminum: 2011 Aluminum (Copper: 5.0-6.0%; Silicon: 0.4% maximum; Iron: 0.7% maximum; Zinc: 0.3% maximum; Bismuth: 0.2-0.6%; Lead: 0.2-0.6%)</p> <p>Brass: C36000 Brass (Copper: 60.00-63.00%; Lead: 2.50-3.70%; Iron: .35% maximum)</p> <p>Steel: 12L14 Steel-Leaded Grade A (Carbon: .15% maximum; Manganese: .85-1.15%; Phosphorus: .04-.09%; Sulphur: .26-.35%)</p>