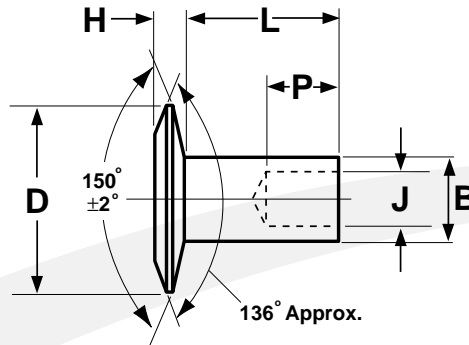


150° Countersunk Flat Head

Semi-tubular Rivets

Rivets



SEMI-TUBULAR RIVETS, 150° COUNTERSUNK HEAD														ANSI/ASME B18.7		
Nominal Size	B		D				H				J		P	Tolerance on Length		
	Shank Diameter		Head Diameter				Head Thickness				Hole Dia. at End of Rivet		Hole Depth to Start of Apex	Up to and including 4 times shank dia.	Over 4 times shank dia. and up to and including 8 times shank dia.	Over 8 times shank dia.
			Standard Head		Large Head		Standard Head		Large Head							
	Max	Min	Max	Min	Max	Min	Max	Min	Max	Min	Max	Min	Ref			
0.146	0.146	0.141	0.303	0.289	0.367	0.351	0.045	0.035	0.051	0.041	0.105	0.099	0.141	±0.010	0.012	0.015
0.188	0.188	0.182	0.367	0.351	0.478	0.458	0.051	0.041	0.067	0.053	0.139	0.133	0.188	±0.010	±0.012	±0.015
0.252	0.252	0.244	0.478	0.458	0.067	0.053	0.183	0.173	0.250	±0.010	±0.015	±0.020

Description	A small, headed metal fastener having a coaxial cylindrical or tapered hole which does not exceed 112% of the mean shank diameter in the end opposite the head. The rivet's head is countersunk at an angle of 150° and has a low-profile that protrudes slightly above the material to which the rivet is attached.
Applications/ Advantages	Easier to clinch than solid rivets. The hole reduces riveting forces for riveting tooling while the remaining clinched solid shank can provide comparable shear strengths to other common riveting products. The 150° countersunk head is often chosen for decorative purposes. The fastener is installed with a riveting hammer.
Material	Steel: Low carbon steel (containing 0.1% carbon or less) Aluminum: Grades 5056, 1100, 2017, 2117 or 6053