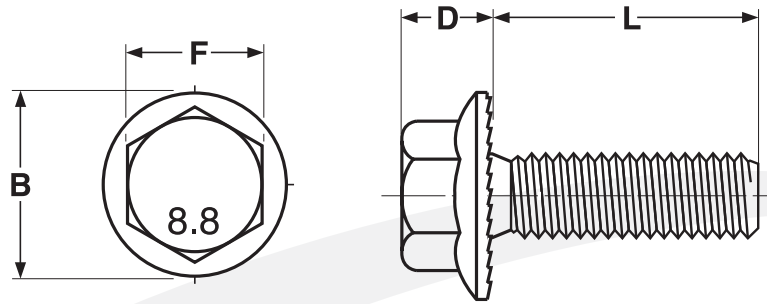


**CAP SCREWS & BOLTS** **DIN 6921**  
Serrated Flange Bolts



DIN 6921 SERRATED HEX FLANGE BOLTS						DIN 6921
Nominal Size	Thread Pitch	F		D	B	
		Width Across Flats		Total Head Height	Flange Diameter	
		Max	Min	Max	Max	Min
M5	0.8	8	7.78	5.4	11.8	-
M6	1	10	9.78	6.6	14.2	12.2
M8	1.25	13	12.73	8.1	18	16.8
Tolerance on Length	12 thru 16mm: ±0.35mm		20mm thru 30mm: ±0.42m		35 thru 50mm: ±0.5 mm	
	55 thru 80 mm: ±0.6 mm		90 thru 120 mm: ±0.7 mm		130 thru 180 mm: ±0.8 mm	

<b>Description</b>	A one-piece hex washer head bolt with a serrated bearing surface, made of medium carbon steel.
<b>Applications / Advantages</b>	Designed for use in applications where loosening forces, such as vibration, are present. After being installed, the serrations grip to the bearing surface so that significantly greater torque is needed to loosen the fastener than to tighten it. Can eliminate the need for a lockwasher or locknut in certain applications.
<b>Material</b>	Class 8.8 carbon steel chemical composition: Carbon- 0.15 - 0.55%; Phosphorous- 0.35% max; Sulphur- 0.35% max
<b>Tempering Temperature</b>	425° C Minimum
<b>Tensile Strength</b>	Class 8.8: 800 N/mm <sup>2</sup> min.
<b>Surface Hardness</b>	HR30N 54.0 max.
<b>Core Hardness</b>	Class 8.8: Rockwell C22 - 32
<b>Proof Stress</b>	Class 8.8: 640 N/mm <sup>2</sup> min.
<b>Elongation after Fracture</b>	Class 8.8: 12 mm
<b>Plating</b>	See Appendix-A for plating information